



DBC

SUGAR MILL CHAINS

- Bagasse Carrier Types
- Cane Carrier Types
- Bagasse Elevator Types
- Drop Forged Types



DONG BO CHAIN IND.CO.,LTD.



Sugar mill chains

► Based on 45 years of experience and technical development we have made, Dong Bo Chain became a leading manufacturer of standard and specialty conveyor chains in Korea.

Product Characteristics

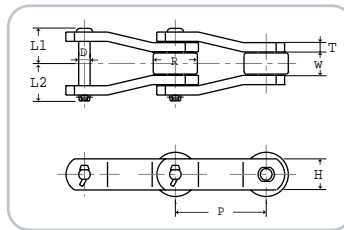
► Sugar Mill Chains are generally applied to conveying lines of raw materials for sugar production facilities, and require strong durability enough to fulfill its jobs efficiently in handicapped working environments. DBC Sugar Mill Chain is designed optimally for such special working conditions. Our production capacity extends to various ranges of the chain suitable for each field, including Cane Carrier, Bagasse Carrier, Juice Stainer, etc.

Detailed Descriptions »

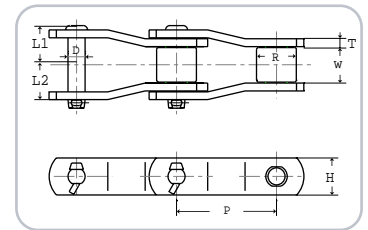


Bagasse Carrier Types

- Easy to adjust length
- Off-set typed plate to reduce impact
- Bagasse Carrier



► Type 1



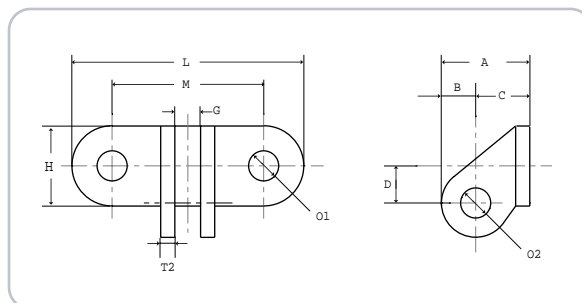
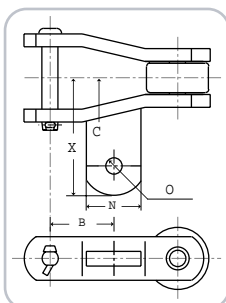
► Type 2

unit : mm

| DBC CHAIN NO. | TYPE | PITCH (P) | | AVERAGE BREAKING LOAD(kgf) | APPROX. WEIGHT (kg/m) | ROLLER DIA. (R) | INNER WIDTH (W) | PIN | | | LINK PLATE | |
|---------------|------|-----------|-------|----------------------------|-----------------------|-----------------|-----------------|-------|----------------|----------------|------------|------|
| | | mm | in | | | | | D | L ₁ | L ₂ | T | H |
| SBC 40H | I | 78.11 | 3.075 | 19,500 | 10.2 | 31.75 | 18.1 | 15.88 | 40.05 | 46.65 | 8.0 | 38.0 |
| SBC 124H | I | 103.20 | 4.063 | 57,000 | 22.4 | 44.45 | 49.1 | 22.23 | 57.0 | 66.0 | 12.7 | 54.0 |
| SBC 266 | I | 103.20 | 4.063 | 54,000 | 22.5 | 44.45 | 49.2 | 22.23 | 57.0 | 66.0 | 12.7 | 54.0 |
| SBC 1113 | II | 102.60 | 4.040 | 18,500 | 10.2 | 50.8 | 37.5 | 17.5 | 38.0 | 45.0 | 6.3 | 38.1 |
| SBC 1124 | II | 101.60 | 4.000 | 19,700 | 11.0 | 50.8 | 32.0 | 12.7 | 37.7 | 42.8 | 7.9 | 38.1 |
| SBC 1125 | II | 101.60 | 4.000 | 33,000 | 12.7 | 50.8 | 32.6 | 17.5 | 39.5 | 45.1 | 7.9 | 44.5 |
| SBC 1130 | II | 152.40 | 6.000 | 30,000 | 12.8 | 63.5 | 37.6 | 19.05 | 38.5 | 45.6 | 6.3 | 50.8 |
| SBC 2184 | II | 152.40 | 6.000 | 45,600 | 18.4 | 76.2 | 34.9 | 22.23 | 44.0 | 53.0 | 9.5 | 50.8 |

► Our chain pitches are based on the above table. However, if customers need special dimension, we are also able to produce them upon customers need after consultation with us.

Attachment

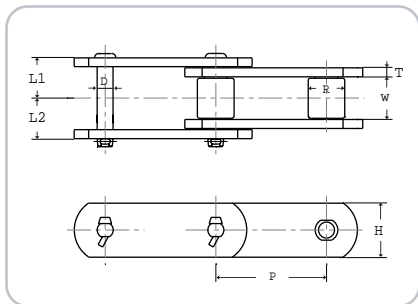


- ◀ A-22 A42 Attachment
- ◀ C wing Attachment

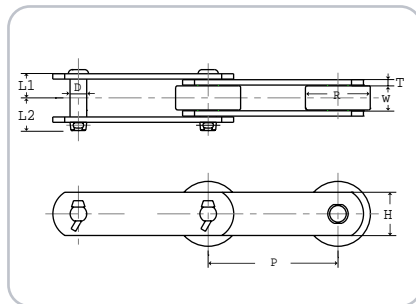


Cane Carrier Types

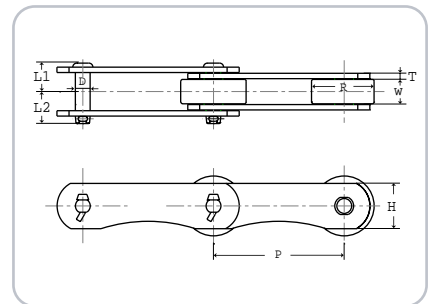
- Cane Carrier, Cane Feeder, Can Elevator
- Oversized roller to reduce impact and to decrease friction resistance operating roller on sprocket



► Type 1



► Type 2



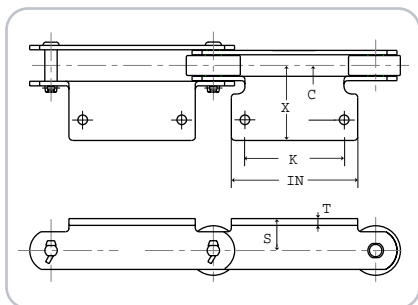
► Type 3

unit : mm

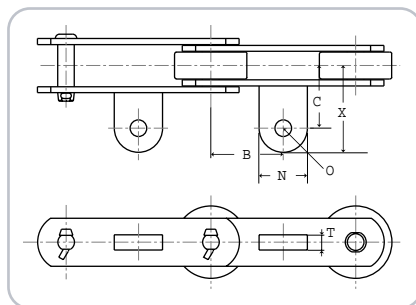
| DBC CHAIN NO. | TYPE | PITCH (P) | | AVERAGE BREAKING LOAD(kgf) | APPROX. WEIGHT (kg/m) | ROLLER DIA. (R) | INNER WIDTH (W) | PIN | | | LINK PLATE | |
|---------------|------|-----------|-------|----------------------------|-----------------------|-----------------|-----------------|-------|----------------|----------------|------------|------|
| | | mm | in | | | | | D | L ₁ | L ₂ | T | H |
| SCC 205 | I | 78.11 | 3.075 | 26,500 | 10.0 | 31.8 | 37.1 | 15.88 | 40.5 | 47.5 | 7.9 | 38.1 |
| SCC 1131 | I | 152.4 | 6.000 | 43,500 | 20.5 | 76.2 | 38.1 | 18.94 | 46.7 | 51.6 | 10.0 | 50.8 |
| SCC 2124 | III | 152.4 | 6.000 | 44,400 | 26.0 | 69.8 | 40.0 | 19.05 | 46.1 | 53.6 | 9.5 | 52.9 |
| SCC 2188 | II | 101.6 | 4.000 | 30,500 | 11.0 | 44.45 | 33.85 | 15.88 | 39.9 | 46.1 | 7.9 | 41.3 |
| SCC 2315 | II | 228.6 | 9.000 | 50,000 | 18.3 | 76.2 | 43.0 | 22.0 | 49.0 | 58.0 | 9.5 | 63.5 |

► Our chain pitches are based on the above table. However, if customers need special dimension, we are also able to produce them upon customers need after consultation with us.

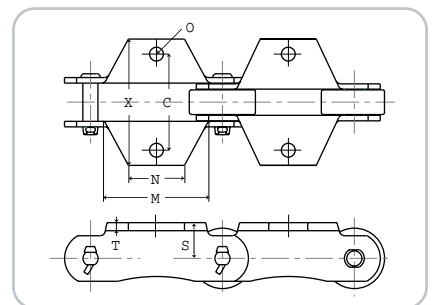
Attachment



► A-2 Attachment



► A-42 Attachment

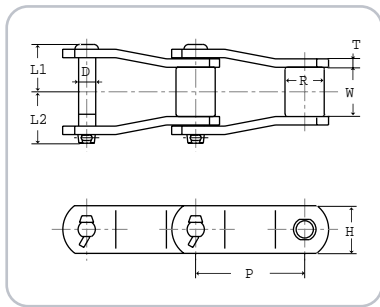


► K-1 Attachment

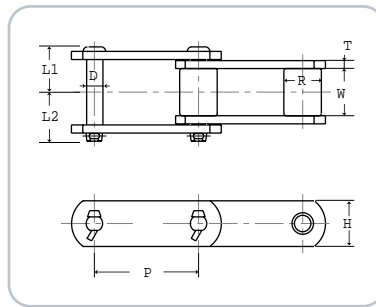


Bagasse Elevator Types

- Precision in pitch
- Outstanding durability and strength
- Can Feeder, Juice Stainer, Sugar Elevator



► Type 1



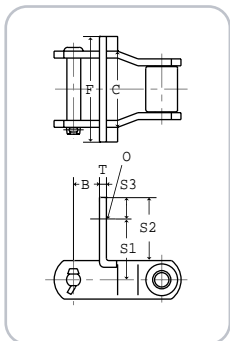
► Type 2

unit : mm

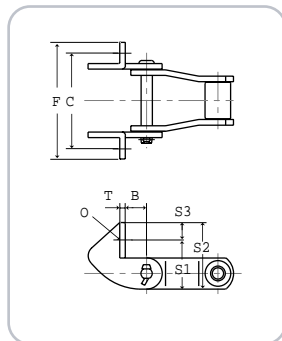
| DBC CHAIN NO. | TYPE | PITCH (P) | AVERAGE BREAKING LOAD(kgf) | APPROX. WEIGHT (kg/m) | ROLLER DIA. (R) | INNER WIDTH (W) | PIN | | | LINK PLATE | |
|---------------|------|-----------|----------------------------|-----------------------|-----------------|-----------------|-------|----------------|----------------|------------|------|
| | | | | | | | D | L ₁ | L ₂ | T | H |
| SBE 224 | II | 66.27 | 15,700 | 5.8 | 22.58 | 27.0 | 11.32 | 31.0 | 35.0 | 6.3 | 28.6 |
| SBE 488 | I | 66.27 | 15,000 | 5.9 | 22.58 | 28.6 | 11.10 | 31.9 | 37.1 | 6.3 | 28.6 |
| SBE 488 | II | 66.27 | 15,000 | 5.4 | 22.58 | 28.6 | 11.10 | 31.9 | 37.1 | 6.3 | 28.6 |
| SBE 4103 | I | 78.11 | 30,000 | 12.2 | 31.80 | 31.8 | 19.05 | 39.0 | 45.5 | 7.9 | 44.5 |
| SBE 0340 | I | 101.60 | 30,500 | 10.9 | 36.50 | 41.3 | 15.88 | 45.1 | 49.2 | 7.9 | 44.5 |
| SBE H124 | I | 101.60 | 28,600 | 21.5 | 36.50 | 54.0 | 19.05 | 52.3 | 57.2 | 7.9 | 44.5 |

► Our chain pitches are based on the above table. However, if customers need special dimension, we are also able to produce them upon customers need after consultation with us.

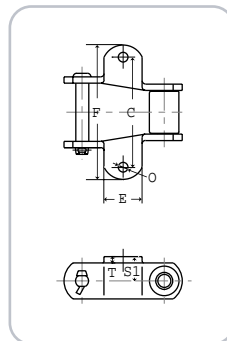
Attachment



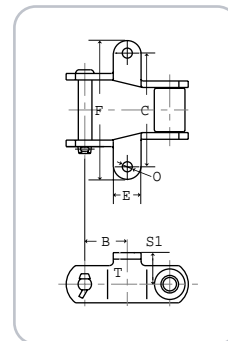
► Type 1



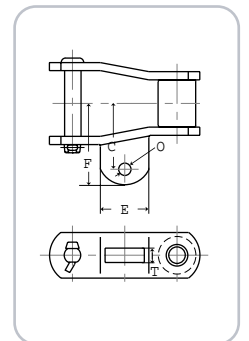
► Type 2



► Type 3



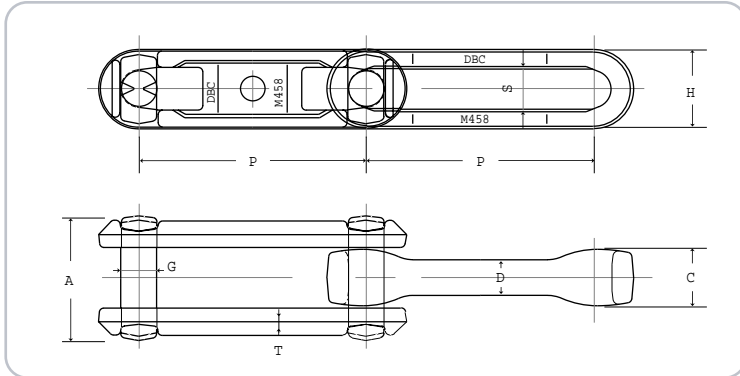
► Type 4



► Type 5

Drop Forged Types

- Used for feeder tables and in cane washing stations
- Require no tools for assembly or disassembly



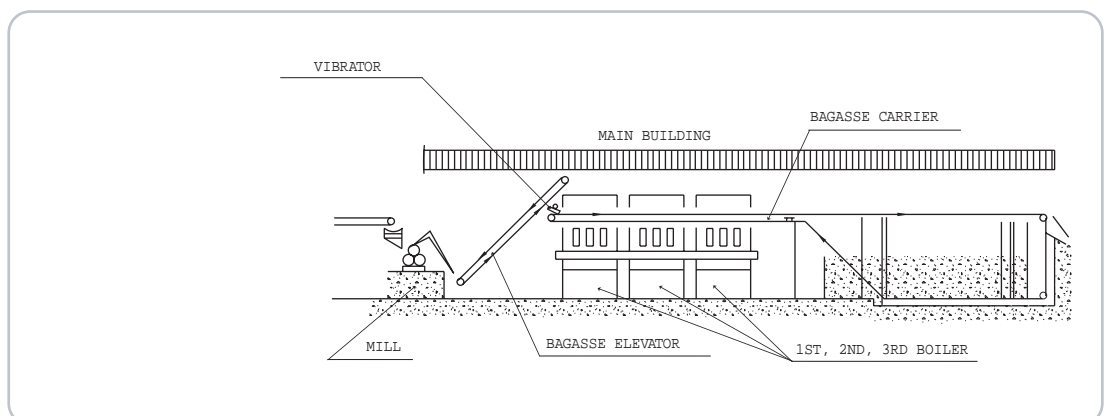
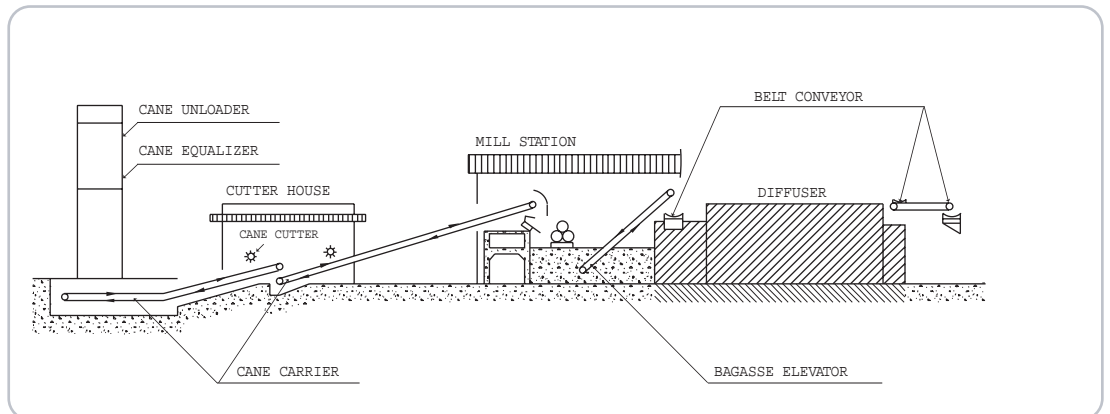
- ◀ Forming : Precision Forging Method
- ◀ Material : Alloy steel

unit : mm

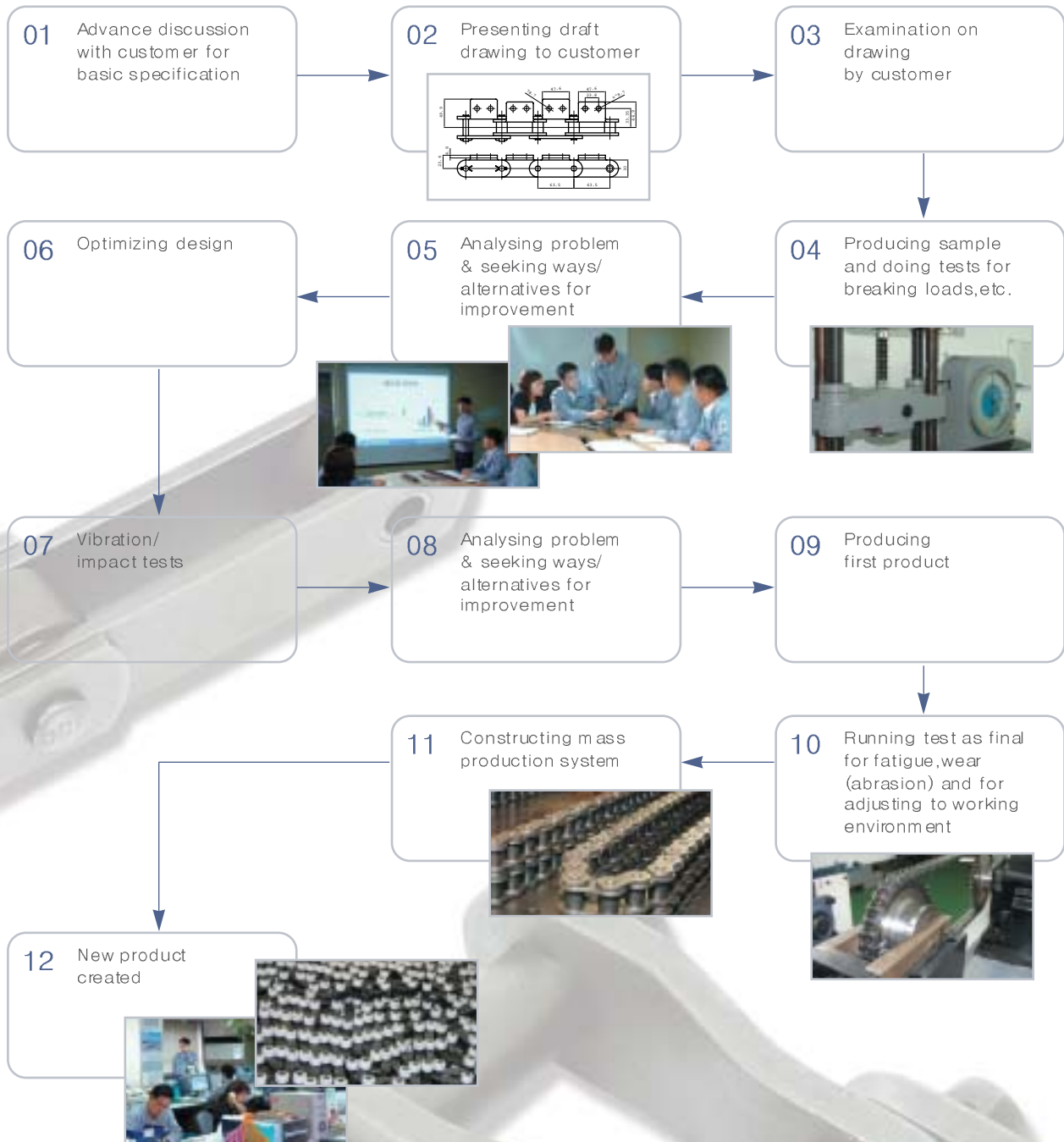
| DBC CHAIN NO. | PITCH (P) | | AVERAGE BREAKING LOAD(kgf) | APPROX. WEIGHT (kg/m) | WIDTH | | HEIGHT (A) | PIN (G) | SIDE BAR | |
|---------------|-----------|-------|----------------------------|-----------------------|-------|------|------------|---------|----------|------|
| | mm | in | | | H | S | | | C | D |
| SDF X348 | 76.2 | 3.015 | 11,000 | 3.2 | 28.6 | 14.4 | 46.3 | 12.7 | 19.5 | 13.0 |
| SDF X458 | 102.1 | 4.031 | 22,000 | 4.6 | 35.7 | 17.9 | 55.6 | 16.0 | 25.4 | 16.2 |
| SDF X678 | 153.6 | 6.031 | 38,000 | 9.0 | 50.8 | 25.8 | 77.0 | 22.0 | 31.8 | 21.0 |

► Our chain pitches are based on the above table. However, if customers need special dimension, we are also able to produce them upon customers need after consultation with us.

Applications »



Developed and under developing products



Website : www.dongbochain.com
E-mail : dbc@dongbochain.com

Head Office & Factory

940-20, YELIM-LI, CHUNGGWAN-MYUN, KIJANG-GUN, BUSAN, SOUTH KOREA
TEL : +82-51-727-6911/6 (6 lines) FAX : +82-51-727-6917

Seoul Office

MICRO BUILDING A-103, 554-2, GASAN-DONG, GEUMCHEON-GU, SEOUL, SOUTH KOREA
TEL : +82-2-839-9102 FAX : +82-2-865-4973

China Factory

#218, CHUNCHENG ROAD, CHENGYANG WARD, QINGDAO, P. R OF CIINA
TEL : +86-532-8796-3341~4 (6 lines) FAX : +86-532-8796-3346



東寶체인工業株式會社
DONG BO CHAIN INDUSTRY CO., LTD.