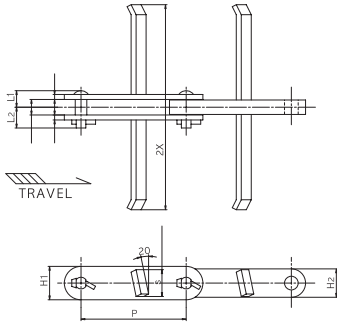


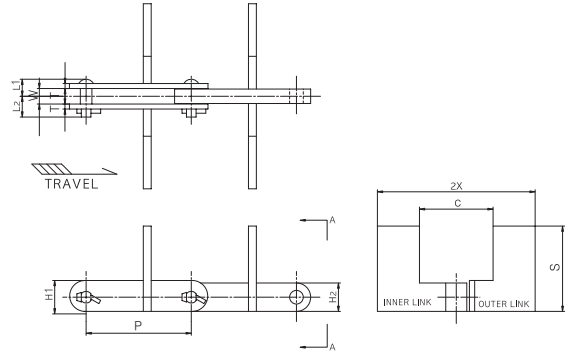
NB type flow Conveyor Chains

NB형 플로우 컨베이어용 체인

KL-Attachment



W-Attachment



unit : mm

Dong Bo Chain No.	Pitch P	Inner width of outer link plate W	Plate			Pin		Avg. Breaking Load kgf	Approx.Weight (kg / m)
			H1	H2	T	L1	L2		
DBC NB30150	150	23.3	44.5	38.1	7.9	23.5	32.0	31,500	7.9
DBC NB30200	200								
DBC NB56200	200	29.5	63.5	54.0	9.5	28.5	39.5	56,500	14.7
DBC NB56250	250								

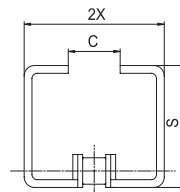
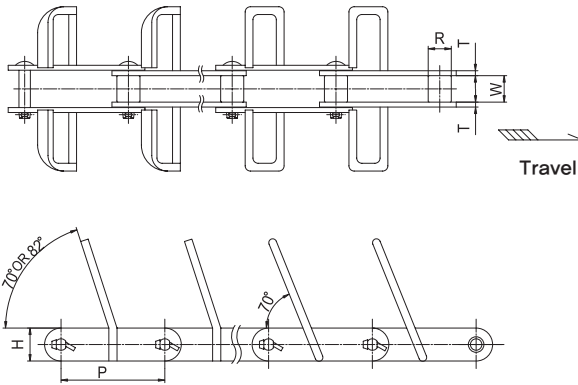
unit : mm

Dong Bo Chain No.	Compatible Conveyor* No.	L-Attachment			KL-Attachment			W-Attachment			
		Wing width 2X	S	add.Weight per Att* (kg/each)	Wing width 2X	S	add.Weight per Att* (kg/each)	Wing width 2X	S	C	add.Weight per Att* (kg/each)
DBC NB30150 DBC NB30200	#150	135		0.18	135		0.18	135	80	60	0.33
	#200	185		0.26	185		0.26	185	115	85	0.68
	#270	250	34	0.36	250	34	0.36	250	140	105	1.12
	#350	330		0.74	330		0.74	330	185	130	2.94
	#450	430		0.98	430		0.98	430	230	135	5.14
DBC NB56200 DBC NB56250	#410	390		1.3	390		1.3	390	233	100	5.0
	#450	430	51	1.44	430	51	1.44	430	230	135	5.2
	#580	560		1.92	560		1.92	560	290	160	8.6

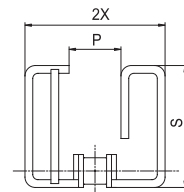
*Compatible conveyor No. = 사용컨베이어 형번

Slant, Vertical Flow Conveyor Chain

경사, 수직 플로우 컨베이어 체인



U Attachment

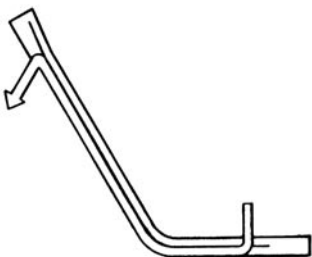


U₂ Attachment(DBC 450W-M)
U₂N Attachment(DBC 10125M and larger)

unit:mm

DONG BO Chain No.	Pitch P	Roller Diameter R	Inner Width W	Plate		Wing Width 2X	Attachment Dimensions					
				H	T		U-Attachment			U ₂ -Attachment		
							S	C	kg/m	S	C	kg/m
DBC 450WM	101.6	25.4	27	21.8	6.3	145	110	50	8.6	110	50	9.6
DBC 10125M	125	31.8	30	38.1	6.3	225	140	65	13.0	140	65	14.8
DBC 6205M	152.4	38.1	37.1	44.5	7.9	300	175	80	19.5	175	80	22.4
DBC 17200M	200	44.5	51.4	50.8	9.5	390	220	100	26.5	220	100	30.3
DBC 26200M 26250N	200	50.8	57.2	63.5	9.5	390	220	100	30.5	220	100	33.9
DBC 36300M 36300N	300	57.2	66.7	76.2	12.7	480	260	120	42.5	260	120	47.0
	300	57.2	66.7	76.2	12.7	580	305	140	47.2	305	140	53.0
DBC 36300M 36300N	300	57.2	66.7	76.2	12.7	480	260	120	42.5	260	120	47.0
	300	57.2	66.7	76.2	12.7	580	305	140	47.2	305	140	53.0

Application of Attachment 어태치먼트 형식별 용도

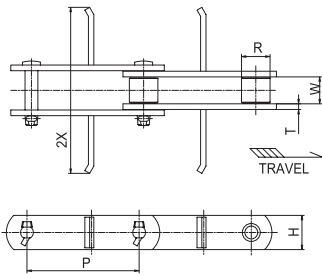


AttachmentType 어태치먼트 형식	Application 적 용	AttachmentType 어태치먼트 형식	Application 적 용
U환(round)	일반 분체 수송물 For conveying general powder items	U ₂ 환(round)	U환보다도 높은 수송효율로 반송할 경우 For conveying items at higher conveyance efficiency than U-round type attachment
U각(angle)	괴상(塊狀), 입상(粒狀) 혹은 부착성이 있는 수송물용 For conveying ingot, granular, or adhesive items	U ₂ 각(angle)	U각보다도 높은 수송효율로 반송할 경우 For conveying items at higher conveyance efficiency than U-angle type attachment

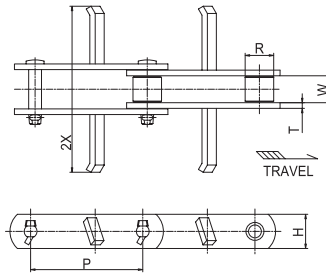
Attachments for Flow Conveyor Chain

플로우 컨베이어용 체인 어태치먼트

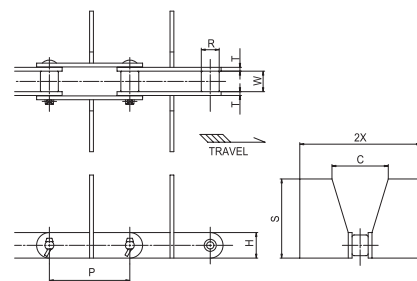
L Attachment



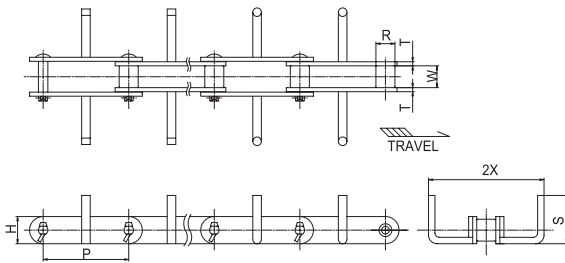
KL Attachment



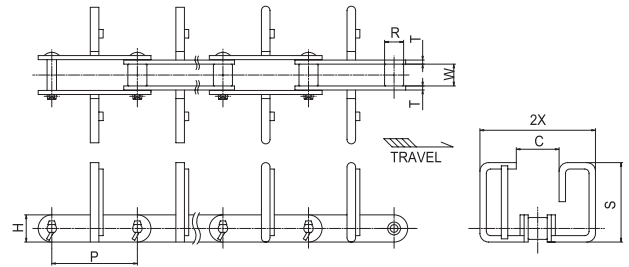
W Attachment



B Attachment



U₂V(U₂VN) Attachment



unit:mm

DONG BO Chain No.	Compatible Conveyor No.	Pitch	Roller Dia.	Inner Width	Plate		Wing Width 2X	Dimension of Attachment											
					H	T		L-type		KL-type		W-type			B-type		U ₂ V(U ₂ VN)-type		
								S	* kg/m	S	* kg/m	S	C	* kg/m	S	* kg/m	S	C	* kg/m
DBC 450WM	# 150	101.6	25.4	27	31.8	6.3	135	28	6.5	28	6.5	80	80	8.1	55	7.4	80	60	9.1
DBC 08125WM	# 200	125	25.4	27	31.8	6.3	185	28	6.5	28	6.5	115	85	10.3	80	8.2	115	85	10.1
DBC 10125M	# 200	125	31.8	30	38.1	6.3	185	34	8.1	34	8.1	115	85	11.3	80	8.2	115	85	10.9
DBC 10150M	# 270	150	31.8	30	38.1	6.3	250	34	8.1	34	8.1	140	105	13.0	100	9.8	140	105	12
DBC 6205M	# 270	152.4	38.1	37.1	44.5	7.9	250	40	12	40	12	140	105	17.2	100	14.4	140	105	18.5
DBC 12200M	# 350	200	38.1	37.1	44.5	7.9	330	40	12	40	12	185	130	22.6	125	16.3	185	130	20
DBC 17200M	# 350	200	44.5	51.4	50.8	9.5	330	46	17	46	17	185	130	26.3	125	18.7	185	130	23
DBC 17250M	# 450	250	44.5	51.4	50.8	9.5	430	46	17	46	17	230	135	31.5	160	19.3	230	135	23.7
DBC 26200M	# 410	200	50.8	57.2	63.5	9.5	390	58	28	58	28	230	100	41.7	150	25	230	100	33.4
DBC 26250M	# 450	250	50.8	57.2	63.5	9.5	430	58	23	58	23	230	135	35.7	160	25	230	135	29
DBC 26300M	# 580	300	57.2	66.7	76.2	12.7	560	70	34	70	34	290	160	53.0	200	27	290	160	30.6
DBC 36300M	# 580	300	57.2	66.7	76.2	12.7	560	70	34	70	34	290	160	61.3	200	37	290	160	40

* Weight of Attachment

Application of Attachment 어태치먼트 형식별 용도

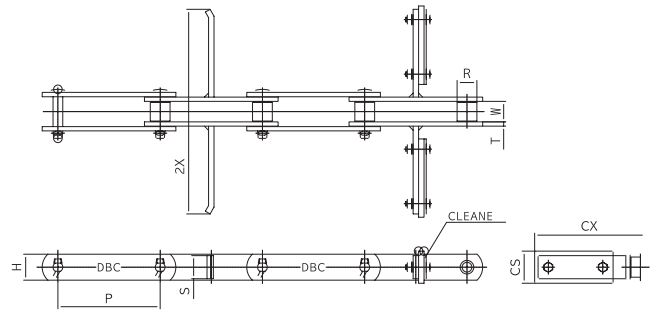
AttachmentType 어태치먼트형식	Application 적 용	AttachmentType 어태치먼트형식	Application 적 용
L, KL	밀등의 곡류 및 시멘트 등 분체 수송물 부착성이 큰 분체 수송물 For conveying powder items including cement and grains such as wheat For conveying powder items with high adhesiveness	U ₂ V환(round), U ₂ VN환(round)	L, KL, B 보다 대형 컨베이어, 혹은 상향구배용 More adequate for large conveyor than L, KL or B upward gradient
B환(round)	밀가루, 시멘트 등 분체를 어태치먼트 보다 높은 수송효율로 반송하는 경우 For conveying powder item such as flour and cement at a higher conveyance efficiency than the attachment	U ₂ V각(angle), U ₂ VN각(angle)	U ₂ V(U ₂ VN)환으로는 수송이 곤란한 과상, 입상 혹은 부착성이 있는 운반물 For conveying items difficult with U ₂ V (or U ₂ VN) round types such as ingot, granular, or items with adhesiveness
B각(angle)	B환에서는 곤란한 과상(塊狀), 입상(粒狀) 또는 부착성이 있는 수송물의 반송용 For conveying powder items difficult with B-round types such as ingot, granular, or items with adhesiveness	W	날리기 쉬운 분체 수송용 For conveying powder items that easily disperse into air

Flow Conveyor Chain for conveying Grains

곡물 전용 플로우 컨베이어체인

This is a horizontal Scraper (within 10° gradient, adjustable upward or downward) Chain for conveying grains.
Purpose of the scratch plate is to prevent conveyed items from breaking, and the cleaner prevents conveyed items from remaining in the case.

곡물전용 수평 스크레이퍼(10° 이내의 상향, 하향구배)용 체인입니다. 긁기판(Scraper Plate)은 레일상의 수송물을 깨지지 않게 하고 클리너(Cleaner)는 케이스내의 수송물을 남지않게 하기 위한 것입니다.



unit:mm

DONG BO Chain No.	Compatible Flow No.	Pitch P	Roller Diameter R	Inner Width W	Plate		Attachment		Cleaner		Arg. Breaking Load (kgf)	Approx. Weight (kg/m)
					H	T	Width of Wing 2X	Height S	Width CX	Height CS		
DBC 03075S	# 110	75	15.9	16.1	22	3.2	95	20	105	28	3,000	2.1
DBC 430S	# 150	101.6	20.1	22.6	25.4	4.8	135	22	145	32	5,500	3.4
DBC 450S	# 150	101.6	22.2	27	28.6	6.3	135	25	145	34	8,000	5.0
DBC 08125S	# 200	125	22.2	27	28.6	6.3	185	25	195	34	8,000	5.0
DBC 10125S	# 200	125	29	30	38.1	6.3	185	34	195	47	11,500	6.8
	# 240						225					
DBC 10150S	# 270	150	29	30	38.1	6.3	250	34	255	47	11,500	6.9
	# 320						300					
DBC 6205S	# 270	152.4	34.9	37.1	44.5	7.9	250	40	265	53	19,000	10.5
DBC 12200S	# 350	200	34.9	37.1	44.5	7.9	330	40	345	53	19,000	10.3
DBC 17200S	# 350	200	40.1	51.4	50.8	9.5	330	46	345	58	25,000	14.0
	# 450						430					
DBC 26200S	# 450	200	44.5	57.2	63.5	9.5	430	58	445	68	32,000	21.0

