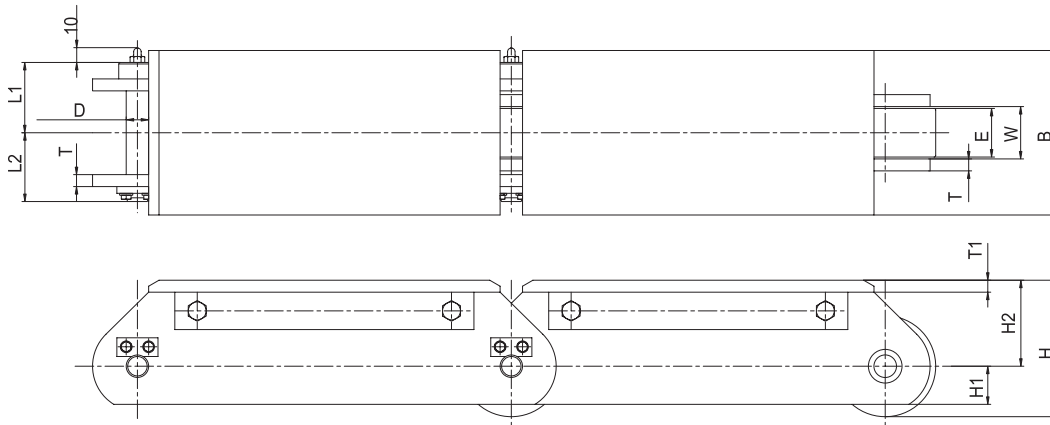
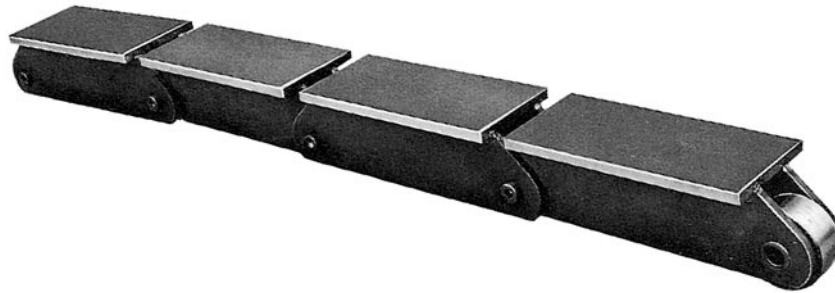


## Flat Top Coil Conveyor Chain

This chain is used for conveying heavy weight items such as coils manufactured in hot or cold rolling processes of steel mills and steel works. We have enhanced the bearing durability and chain precision to substantially improve its functionality and extended its lifetime.



unit : mm

DONG BO CHAIN No.	Pitch P	Inner Width W	Roller			Pin		Link plate				Top plate		Approx Weight (kg/m)	load Carrying Capacity of bearing C/Co	Avg Breaking load(kgf)
			R	E	D	L <sub>1</sub>	L <sub>2</sub>	T	H	H <sub>1</sub>	H <sub>2</sub>	T <sub>1</sub>	B			
<b>DBC FT60300</b>	300													63	16,200	
<b>DBC FT60400</b>	400	60	125	55	28	64.5	72.5	12	154.5	45	92	12	180	58	/	60.000
<b>DBC FT60500</b>	500													55	13,600	
<b>DBC FT90300</b>	300													90	20,900	
<b>DBC FT90400</b>	400	62	135	55	30	74.5	81.5	16	177.5	56	110	16	190	83	/	90.000
<b>DBC FT90500</b>	500													79	16,800	
<b>DBC FT90300W</b>	300													98	24,800	
<b>DBC FT90400W</b>	400	78	135	71	30	82.5	89.5	16	177.5	56	110	16	210	89	/	90.000
<b>DBC FT90500W</b>	500													84	23,800	
<b>DBC FT130300</b>	300													119	28,400	
<b>DBC FT130400</b>	400	76	150	70	38.5	89.5	97.5	19	188	63	113	16	210	109	/	130.000
<b>DBC FT130500</b>	500													102	25,100	
<b>DBC FT130600</b>	600													97		
<b>DBC FT160400</b>	400													139	31,000	
<b>DBC FT160500</b>	500	85	175	80	41.5	95.5	102.5	19	221.5	75	134	19	220	130	/	160.000
<b>DBC FT160600</b>	600													122	35,000	